



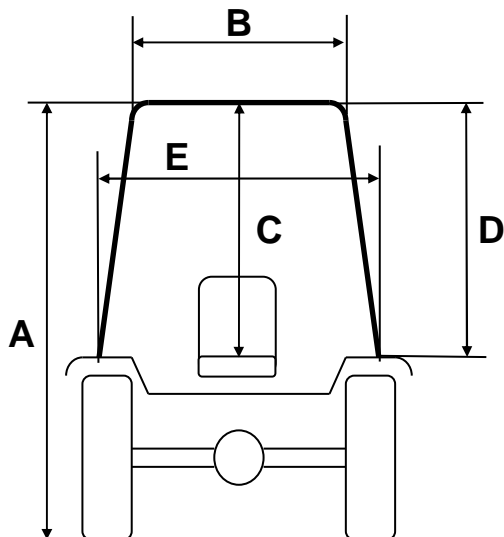
TORINCAB2 s.r.l.

SEDE LEGALE ED AMMINISTRATIVA:
Via DRUBIAGLIO 6/17
10040 Frazione RIVERA – ALMESE (TO)
TEL. +39 (0) 119352688
FAX. +39 (0) 119352838
Web: www.torincab2.com

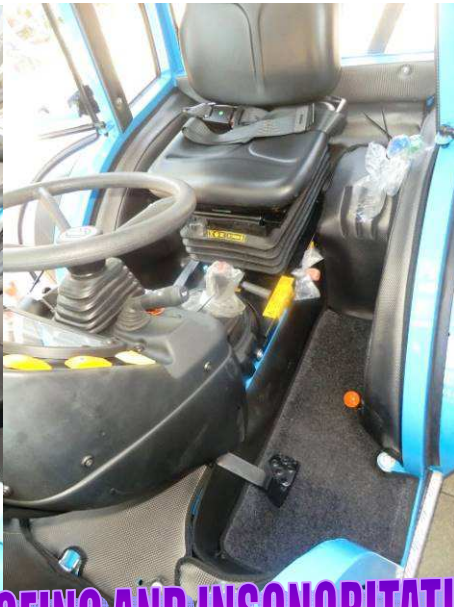
Cap. Soc. € 10.000,00
Isc. al Reg. delle Imp. di Torino N. 05655530011
Albo Imprese Artigiane N. 307836
Partita IVA e Cod. Fisc. 05655530011
E-mail: info@torincab2.com

“COMPACT” CABIN LOW-PROFILE FOR TRACTORS:

| | | |
|----------------|-------------------------|-------------------|
| LANDINI | 90105 – 90115 IS | Reversible |
| LANDINI | 9095 – 90105 IS | Reversible |



| “COMPACT” CABIN LANDINI 9095 IS REV. | |
|---|---------|
| Tractor Tyres 31x15.50-15 | |
| A | 1835 mm |
| B | 730 mm |
| C | 930 mm |
| D | 900 mm |
| E | 915 mm |



SOUND/PROOFING AND INSONORITATION CLOTHING